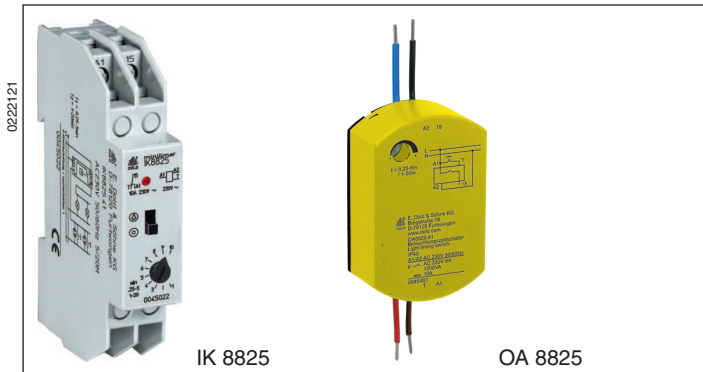
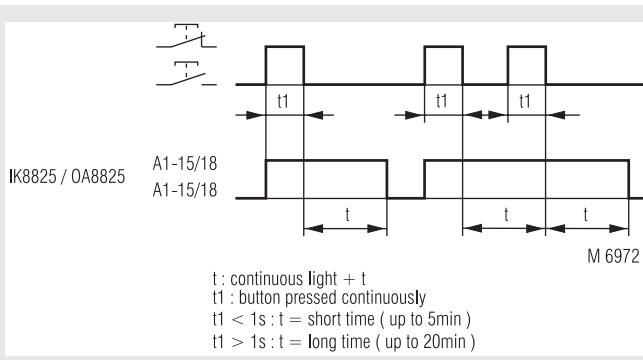


## MINITIMER Lighting Time Switch IK 8825 / OA 8825



- According to EN 60 669-1, EN 60 669-2-1
- With 2 delay times
  - 0.3 ... 5 min. if the pushbutton is pressed briefly (< 1 s)
  - 1.2 ... 20 min. if the pushbutton is pressed for a long time (> 1 s)
    - i.e. the delay time is four times as long
- Operating time adjustment with a screwdriver
- Reswitching possible
- IK 8825 with permanent light switch
- Permanent light as long as the pushbutton is pressed
- IK 8825 for installation on a top hat rail
- OA 8825 for installation in flush-mounted boxes
- Width IK 8825 17.5 mm

### Function Diagram



### Approvals and Markings



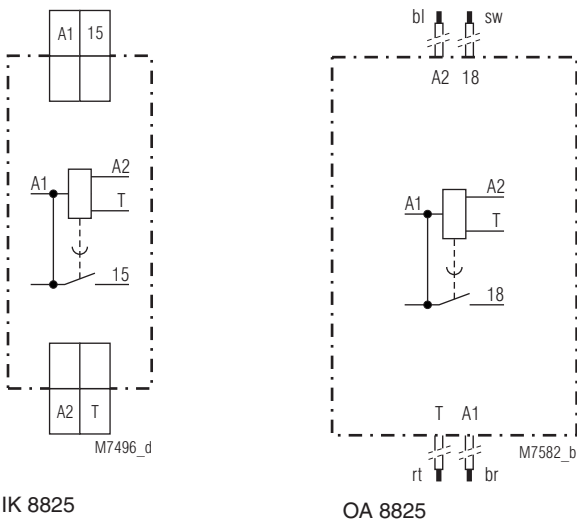
### Applications

- Automatic staircase light switch with time extension as required
- To be used in carparks. To load or unload cars the lighting time can be extended.

### Indicators

IK 8825:  
LED: on, when the output relay is activated

### Circuit Diagrams



### Notes

The unit and the pushbutton must be connected to the same phase. The choice of long or short operating mode is determined by the length of time that the pushbutton is pressed when it is actuated the last time.

### Connection Terminals

Terminal designation	Signal designation
A1	L
A2	N
T	Control input for buttons
15, 18	Contact-output delayed

## Technical Data

### Time circuit

#### Time ranges:

Short time: 0.3 ... 5 min  
 Long time: 1.2 ... 20 min

**Repeat accuracy:** ± 2% of the full scale value

**Nominal voltage  $U_N$ :** AC 230 V

**Voltage range:** 0.8 ... 1.1  $U_N$

#### Nominal consumption:

Apparent power  
 IK 8825: 5 VA  
 OA 8825: 3 VA  
 Actual power: 0.3 W  
**Nominal frequency:** 50 / 60 Hz

#### Glow lamps parallel to the pushbutton:

IK 8825: 40 mA  
 OA 8825: 10 mA

## Output

### Contacts

IK 8825.41, OA 8825.41: 1 NO contact, delayed

### Switching capacity with lamp load

Fluorescent lamp load  
 Duo switching  
 IK 8825: 20 lamps with 65 W  
 5 x 10<sup>4</sup> switching cycles  
 OA 8825: 6 lamps with 65 W  
 5 x 10<sup>4</sup> switching cycles

### Glow lamp load:

IK 8825: 1200 W  
 OA 8825: 600 W

### Short circuit strength max. fuse rating

IK 8825: 10 A gG /gL IEC/EN 60 947-5-1  
 OA 8825: 4 A A gG /gL IEC/EN 60 947-5-1

**Mechanical life:** > 1 x 10<sup>6</sup> switching cycles

## General Data

**Operating mode:** Continuous operation

### Temperature range

Operation: - 20 ... + 45 °C  
 Storage: - 20 ... + 60 °C

**Altitude:** < 2,000 m

### Clearance and creepage distances

rated impulse voltage/  
 pollution degree: 4 kV / 2 IEC 60 664-1

### EMC

Electrostatic discharge: 8 kV (air) IEC/EN 61 000-4-2  
 HF irradiation: 10 V / m IEC/EN 61 000-4-3  
 Fast transients: 2 kV IEC/EN 61 000-4-4

### Surge voltages

between  
 wires for power supply: 2 kV IEC/EN 61 000-4-5  
 between wire and ground: 4 kV IEC/EN 61 000-4-5  
 Interference suppression: Limit value class B EN 55011

### Degree of protection

Housing: IP 40 IEC/EN 60 529  
 Terminals: IP 20 IEC/EN 60 529

### Housing:

Thermoplastic with V0 behaviour  
 according to UL subject 94

### Vibration resistance:

Amplitude 0.35 mm;  
 frequency 10 ... 55 Hz IEC/EN 60 068-2-6

### Climate resistance:

20 / 045 / 04 IEC/EN 60 068-1

## Technical Data

**Terminal designation:** EN 50 005  
**Wire connection** DIN 46 228-1/-2/-3/-4

### IK 8815

**Cross section:** 2 x 0,6 ... 2,5 mm<sup>2</sup> solid or  
 2 x 0,28 ... 1,5 mm<sup>2</sup> stranded wire with  
 and without ferrules

**Stripping length:** 10 mm

**Wire fixing:** Plus-Minus-terminal screws M3,5 with  
 self-lifting clamping piece IEC/EN 60 999-1  
 0.8 Nm

### Fixing torque:

**Mounting:** DIN rail IEC/EN 60 715

### Weight

IK 8825: 70 g  
 OA 8825: 31 g

## Dimensions

### Width x height x depth

IK 8825: 17.5 x 90 x 59 mm  
 OA 8825: 35 x 55 x 18 mm

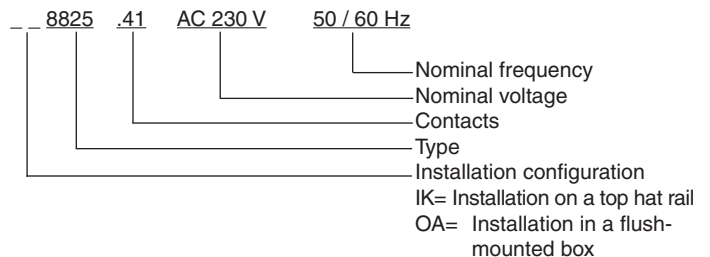
## Standard Type

IK 8825.41 AC 230 V 50 / 60 Hz 5 ... 20 min

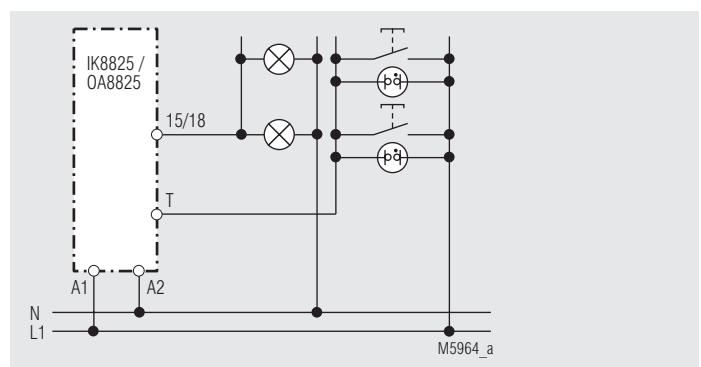
Article number: 0045022

- Output: 1 NO contact ,delayed
- Nominal voltage  $U_N$ : AC 230 V
- Time range: 5 ... 20 min
- Width: 17.5 mm

## Ordering Example



## Connection Example



IK 8825 / OA 8825

4-wire circuit (reswitching possible)